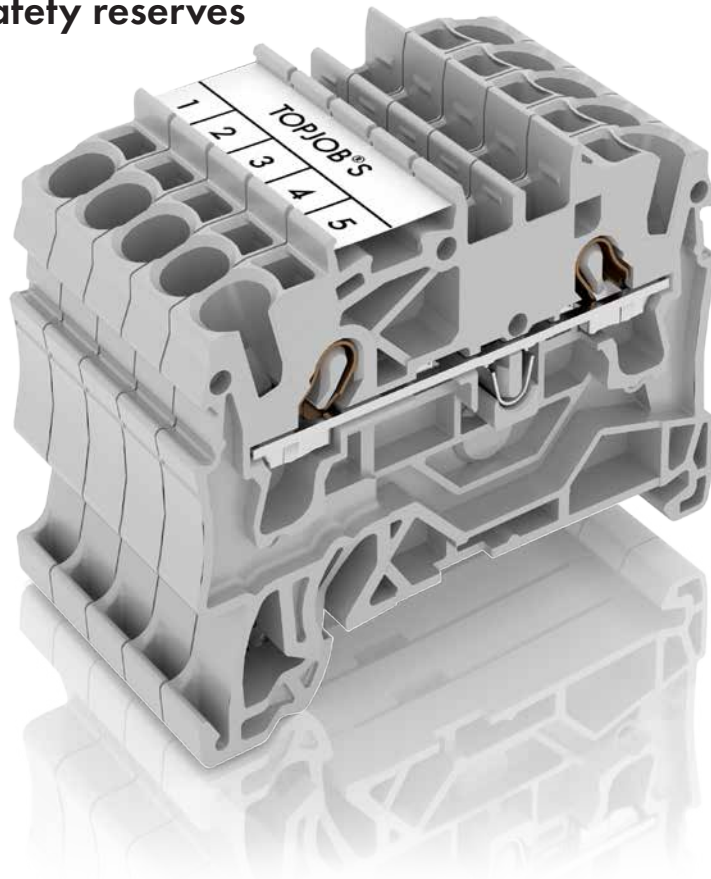


TOPJOB® S – PUSH YOUR PERFORMANCE TO THE TOP.

TOPJOB® S Rail-Mounted Terminal Blocks with the Reliability of
Push-in CAGE CLAMP®

- For all conductor types
- Range of multifunctional jumpers
- The fastest marking system
- Industry-leading safety reserves



WE
INNOVATE!

WAGO®

TOPJOB® S Rail-Mounted Terminal Blocks

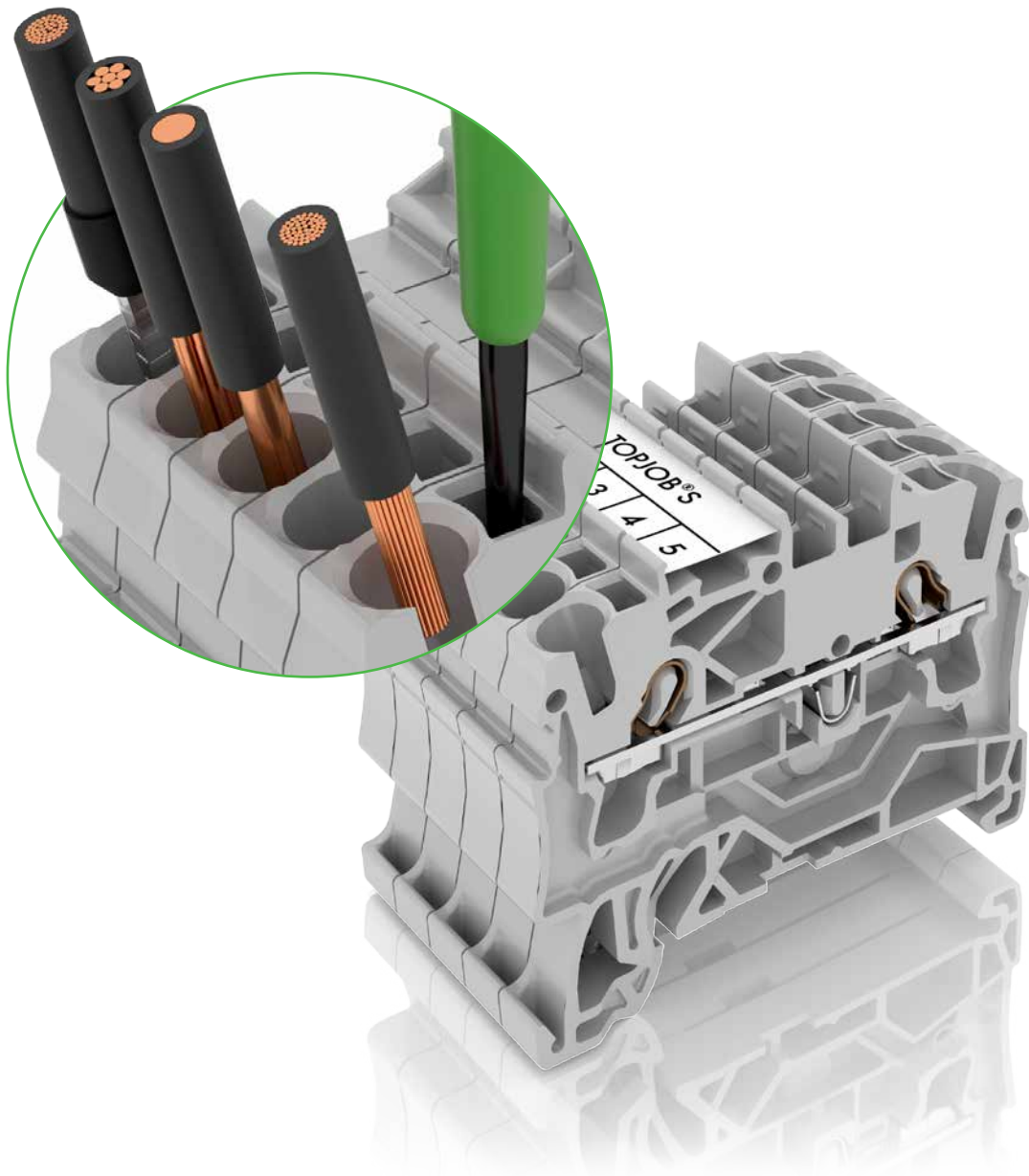
In various industrial applications and modern building installations, rail-mounted terminal blocks are expected to provide more than just reliable electrical connections.

And of course all the time-saving features and industry-leading performance of the TOPJOB® S Rail-Mounted Terminal Blocks are backed by the renowned reliability of Push-in CAGE CLAMP®. This is WAGO's spring pressure connection technology that accommodates all conductor types; what's more, there may be no need to prepare the conductor before termination (depending on conductor type). For example, solid and stranded conductors, as well as fine-stranded conductors with ferrules, are terminated by simply pushing them in. WAGO's Push-in CAGE CLAMP® features industry-leading safety reserves, allowing you to use a single rail-mounted terminal block system anywhere in the world in virtually any type of applications.

TOPJOB® S also offers the advantages of a multifunctional range of jumpers, providing the right solution for any type of application. Additionally, the line is compatible with the fastest marking system to not only help lower costs, but also provide additional safety and reliability through control cabinet labeling that is abundantly clear to prevent wiring errors.

WAGO's TOPJOB® S Rail-Mounted Terminal Block System also features a wide and flexible product line. In addition to single-deck terminal blocks with a large cross-section range of 0.14 mm² to 25 mm² (24–4 AWG), double- and triple-deck terminal blocks as well as function blocks are also available for any type of application: fuse, disconnect, test, electric motor wiring, diode and LED terminal blocks, as well as pluggable terminal blocks. TOPJOB® S Installation Terminal Blocks provide fast and safe installation for building wiring applications.

ONE FOR ALL AND ALL IN ONE.



For All Conductor Types

CAGE CLAMP® and Push-in CAGE CLAMP® are universal connection technologies for solid, stranded and fine-stranded conductors that have proven themselves billions of times worldwide.

Push-in CAGE CLAMP® also offers the possibility of connecting solid and stranded conductors, as well as fine-stranded conductors with gas-tight, crimped ferrules by simply pushing them in – no need for tools.

Your Advantages:

- You can terminate conductors ranging from two sizes below the rated cross section up to the rated cross section by simply pushing them in
- Tool-free, fast – cost-effective

Push-in termination of solid conductors is the most cost-effective way of connecting conductors. This is also true for fine-stranded conductors with automatically crimped ferrules. However, Push-in CAGE CLAMP® and CAGE CLAMP® do not require ferrules for a reliable connection.

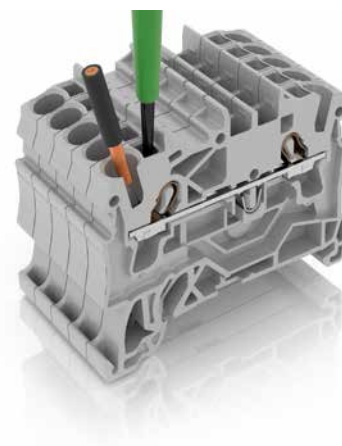
Your Advantage:

- Save both ferrules and crimping

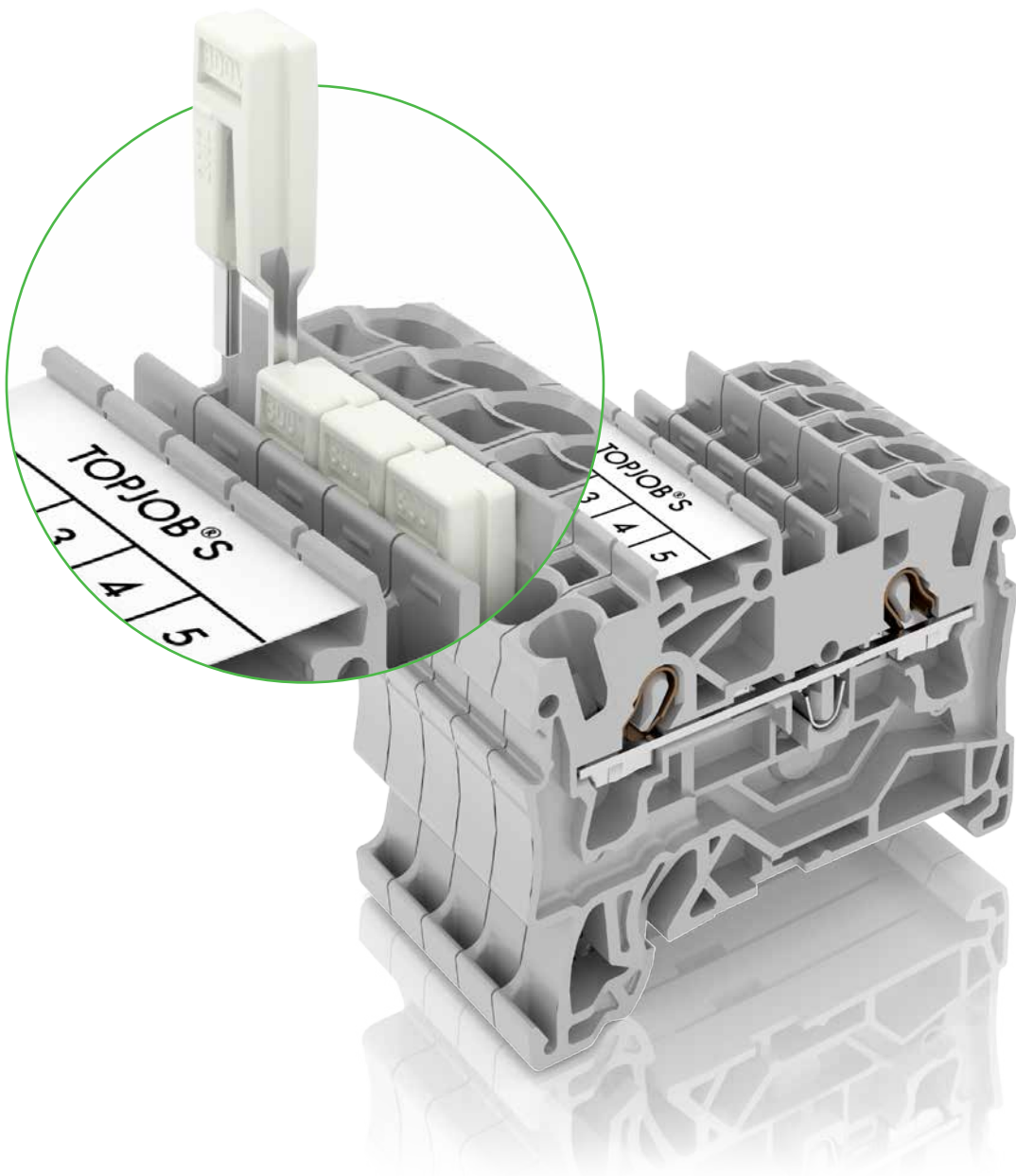
The operating tool, which is used for connecting fine-stranded conductors, remains in the operating slot until termination is complete.

Your Advantages:

- The clamping unit is held open for hands-free wiring
- Because the operating tool identifies which clamping unit is open, wiring is expedited



WITH ALL BELLS AND WHISTLES.



Range of Multifunctional Jumpers

WAGO's line of jumpers is the foundation for the TOPJOB® S Rail-Mounted Terminal Block System's flexibility. And highlighting this is WAGO's adjacent jumper for continuous commoning. This jumper allows you to common a seemingly endless number of terminal blocks in a single jumper slot. For any additional function, or higher number of terminal blocks to be commoned during commissioning, simply add a continuous jumper to the same jumper slot.

Your Advantages:

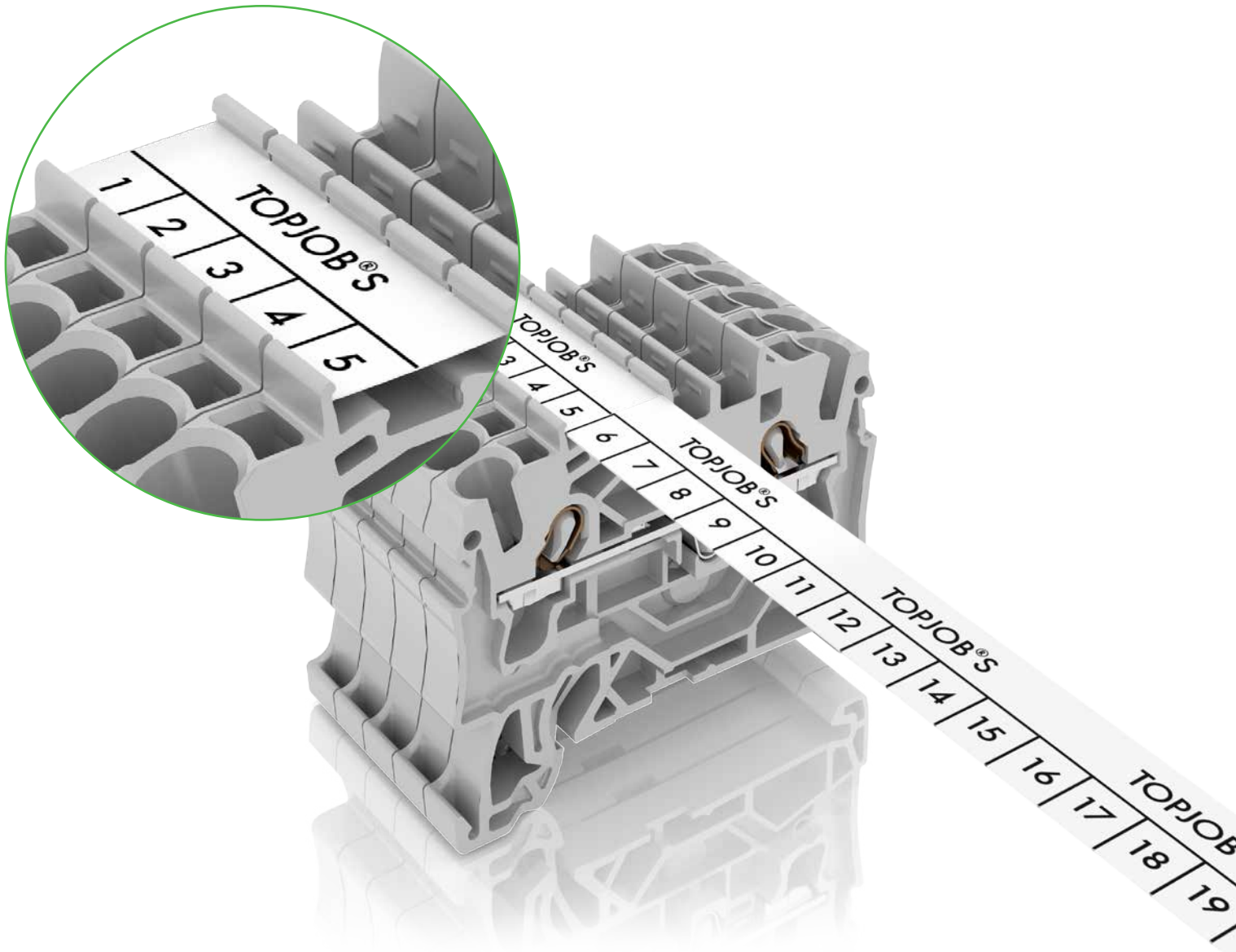
- Minimize storage costs by reducing the number of part numbers stocked
- Flexible and easy to customize – always have the right number of poles in hand

WAGO's jumper line also offers the right solution for all other commoning tasks. For example, delta jumpers are available for delta motor connections. Pluggable vertical jumpers can easily connect all the levels within multilevel terminal blocks. Staggered jumpers allow you to accommodate four potentials along side each other. As an additional variant, push-in type wire jumpers common terminal blocks over longer distances.

Your Advantages:

- Solve complex commoning tasks with simplicity
- Make your commoning applications crystal clear

KEEP YOUR COSTS IN LINE.



The Fastest Marking System

Continuous marking strips allow TOPJOB® S Rail-Mounted Terminal Blocks to be marked in the shortest time possible. Multi-line marking simplifies terminal block identification by labeling them according to their functions.

Your Advantages:

- Reduce marking time up to 75 %
- Use one marking strip – not of six different marker cards
- Streamline control cabinet marking

WMB Inline markers on reel allow you to conveniently mark 2002 to 2016 Series terminal blocks with just one marker size.

Your Advantage:

- Only one WMB Inline for your standard applications – only one storage location

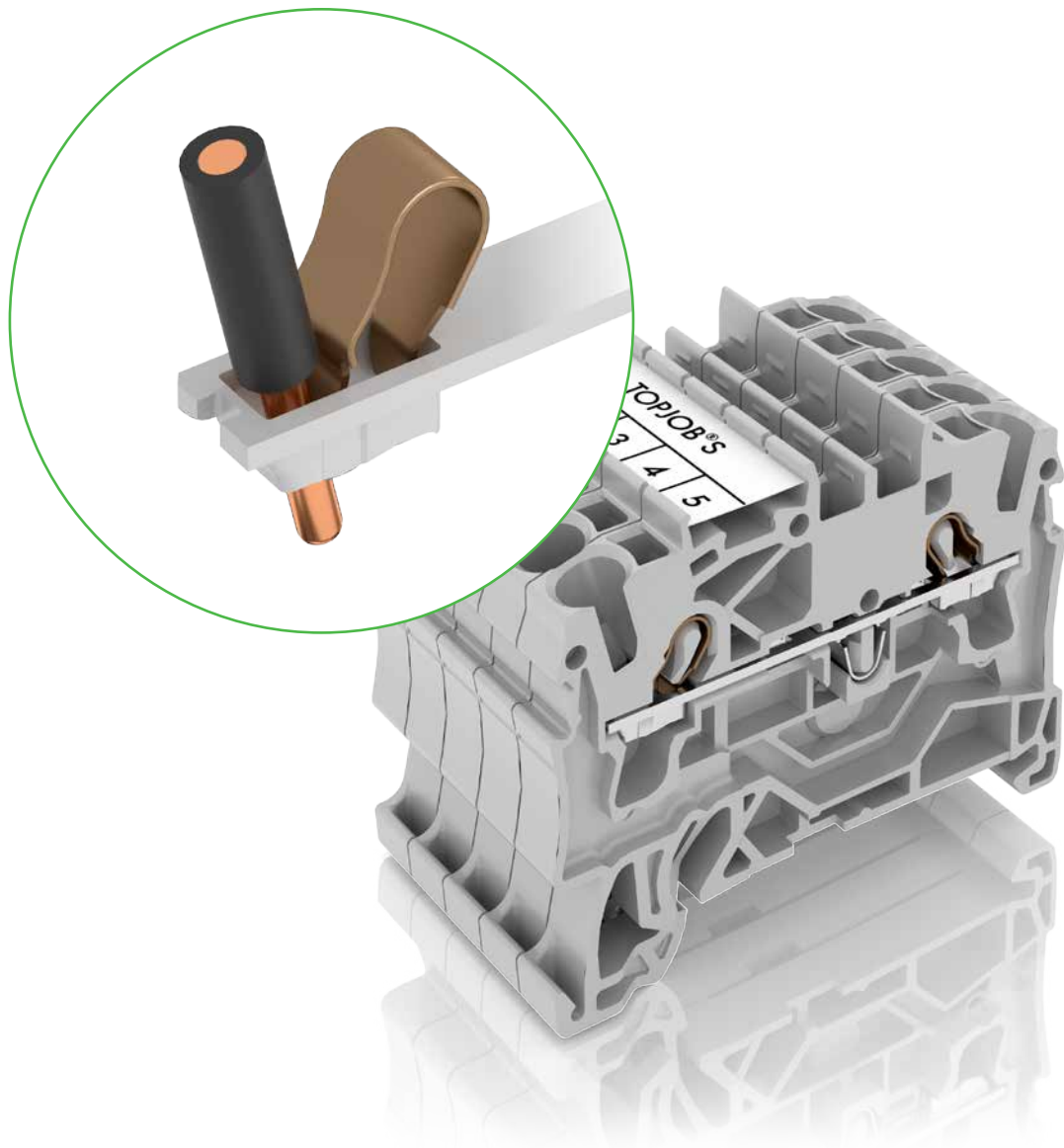
The cost-effective **smart**PRINTER is the first choice for any control cabinet marking application. WAGO's portable printer allows you to professionally print new marking strips on site when making additions or modifications to terminal block assemblies.

Your Advantages:

- Customize your marking in a flexible and cost-effective way
- 75 % lower purchase costs



GOING BELT AND SUSPENDERS.



Industry-Leading Safety Reserves

All single-deck TOPJOB® S Rail-Mounted Terminal Blocks connect stripped solid, stranded and fine-stranded conductors one size over their rated cross section and can be loaded with the nominal current of these conductors.

Your Advantages:

- Using smaller terminal blocks for larger cross sections and current ratings allows you to save up to 25 % more space and money
- Maximize in-the-field wiring flexibility – (e.g., use a 16 mm²/6 AWG terminal block even if the main connection requires a 25 mm²/4 AWG conductor)

TOPJOB® S Rail-Mounted Terminal Blocks pass shock tests up to 500g and vibration tests up to 20g. Always get a reliable connection that's independent of operator skill.

Your Advantage:

- Maintain functional safety of electrical connections – even under harsh operating conditions, such as those found in tunnel boring machines, rock crushers, railway or marine applications

WE! INNOVATE!

0888-0157/0100-6901 - TJS BROCHURE 1.0 US - 04/15 - Printed in Germany - Subject to design changes

WAGO Kontakttechnik GmbH & Co. KG
Postfach 2880 · D - 32385 Minden
Hansastraße 27 · D - 32423 Minden
Germany
Phone: +49 571 887 - 0
Fax: +49 571 887 - 169
E-Mail: info@wago.com
Online: www.wago.com

The WAGO logo features the word "WAGO" in a bold, green, sans-serif font. The letter "W" is stylized with a white arrow pointing upwards and to the right, integrated into its left vertical stroke. A registered trademark symbol (®) is located to the upper right of the "O".

WAGO®